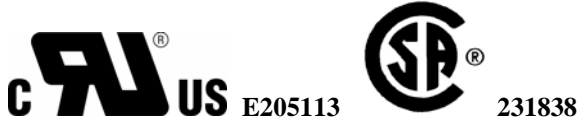


**Model CT101 – Single Ratio Current Transformers for Switchgear Type Applications
Window 6.5", 600V, 10kV BIL**



- UL, cUL Recognized and CSA Certified
- As per ANSI/IEEE C57.13 OR IEC 60044 OR relevant standard

TABLES

| CATALOG NUMBER | CURRENT RATIO | RELAY CLASS | ANSI METERING CLASS @ 60 HZ | | | | |
|----------------|---------------|-------------|-----------------------------|------|------|------|------|
| | | | B0.1 | B0.2 | B0.5 | B0.9 | B1.8 |
| CT101-500 | 50:5 | - | 4.8 | - | - | - | - |
| CT101-750 | 75:5 | C 10 | 4.8 | 4.8 | - | - | - |
| CT101-101 | 100:5 | C 10 | 2.4 | 2.4 | 4.8 | - | - |
| CT101-151 | 150:5 | C 20 | 1.2 | 1.2 | 2.4 | 4.8 | 4.8 |
| CT101-201 | 200:5 | C 20 | 0.6 | 1.2 | 2.4 | 2.4 | 4.8 |
| CT101-251 | 250:5 | C 20 | 0.6 | 0.6 | 1.2 | 1.2 | 2.4 |
| CT101-301 | 300:5 | C 20 | 0.3 | 0.6 | 1.2 | 1.2 | 2.4 |
| CT101-401 | 400:5 | C 50 | 0.3 | 0.3 | 0.6 | 1.2 | 2.4 |
| CT101-501 | 500:5 | C 50 | 0.3 | 0.3 | 0.3 | 0.6 | 1.2 |
| CT101-601 | 600:5 | C100 | 0.3 | 0.3 | 0.3 | 0.6 | 0.6 |
| CT101-751 | 750:5 | C100 | 0.3 | 0.3 | 0.3 | 0.3 | 0.3 |
| CT101-801 | 800:5 | C100 | 0.3 | 0.3 | 0.3 | 0.3 | 0.3 |
| CT101-102 | 1000:5 | C100 | 0.3 | 0.3 | 0.3 | 0.3 | 0.3 |
| CT101-122 | 1200:5 | C200 | 0.15 | 0.15 | 0.15 | 0.15 | 0.3 |
| CT101-152 | 1500:5 | C200 | 0.15 | 0.15 | 0.15 | 0.15 | 0.15 |
| CT101-162 | 1600:5 | C200 | 0.15 | 0.15 | 0.15 | 0.15 | 0.15 |
| CT101-202 | 2000:5 | C200 | 0.15 | 0.15 | 0.15 | 0.15 | 0.15 |
| CT101-252 | 2500:5 | C200 | 0.15 | 0.15 | 0.15 | 0.15 | 0.15 |
| CT101-302 | 3000:5 | C200 | 0.15 | 0.15 | 0.15 | 0.15 | 0.15 |
| CT101-322 | 3200:5 | C200 | 0.15 | 0.15 | 0.15 | 0.15 | 0.15 |
| CT101-352 | 3500:5 | C200 | 0.15 | 0.15 | 0.15 | 0.15 | 0.15 |
| CT101-402 | 4000:5 | C200 | 0.15 | 0.15 | 0.15 | 0.15 | 0.15 |

INSULATION LEVEL
600 V, BIL 10kV full wave

FREQUENCY
50-400 Hz

THERMAL RATING
50:5-3000:5 - 2.0 @ 30 deg. C ambient
1.5 @ 55 deg. C ambient
3200:5-4000:5 - 1.5 @ 30 deg. C ambient
1.33 @ 55 deg. C ambient

OUTER ENCAPSULATION
Plastic Cased

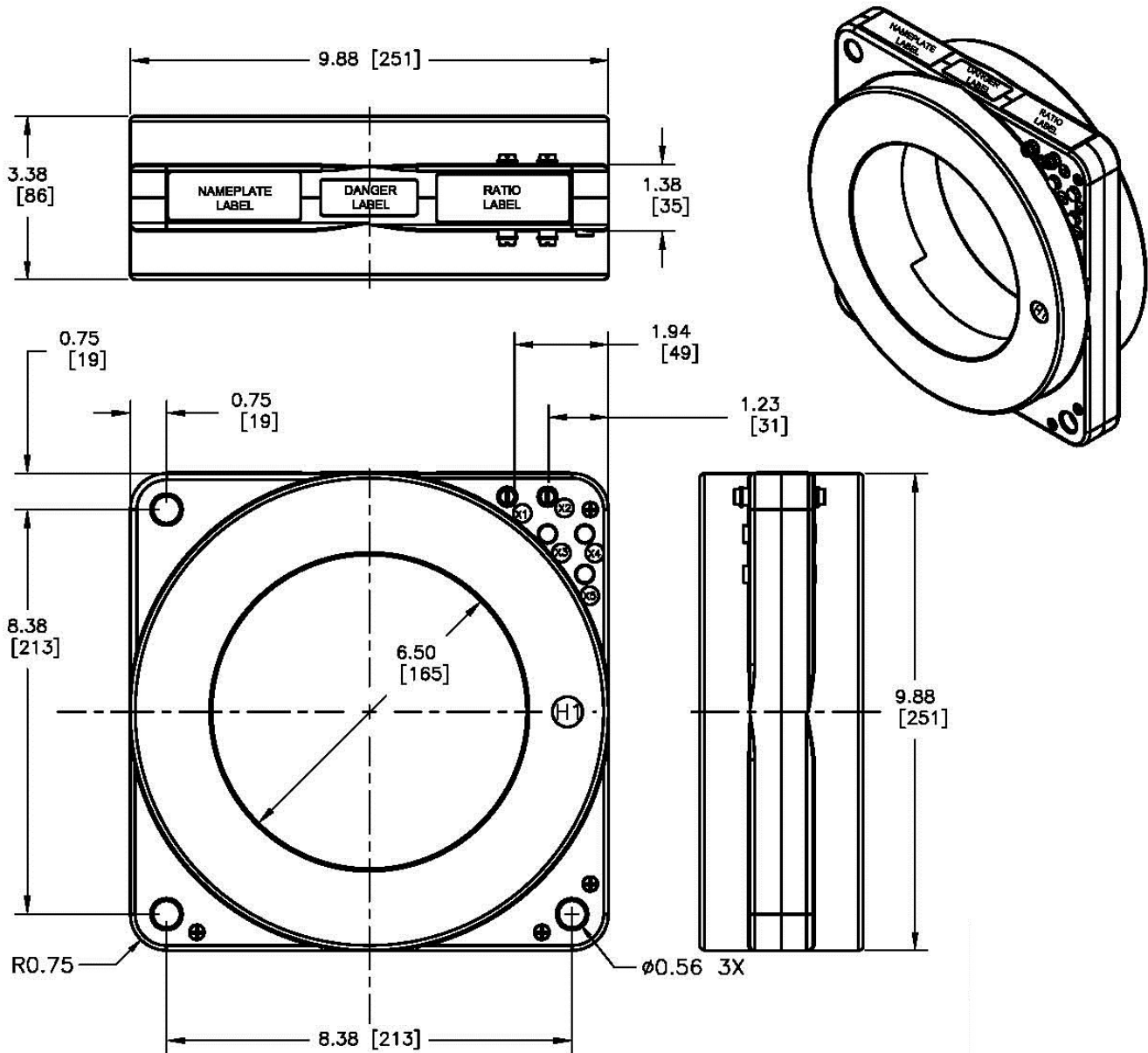
SECONDARY TERMINALS
Brass screw # 10-32 with one flat washer, accessible from either side

APPROX. WEIGHT
30 lbs.

CUSTOM OPTIONS (CONTACT US)

**Model CT101 – Single Ratio Current Transformers for Switchgear Type Applications
Window 6.5", 600V, 10kV BIL**

DIMENSIONS:



EXCITATION CURVES:

Available upon request: