

Model V9 – Medium Voltage Potential Transformer
Maximum System Voltage 5.6kV, BIL 60kV full wave

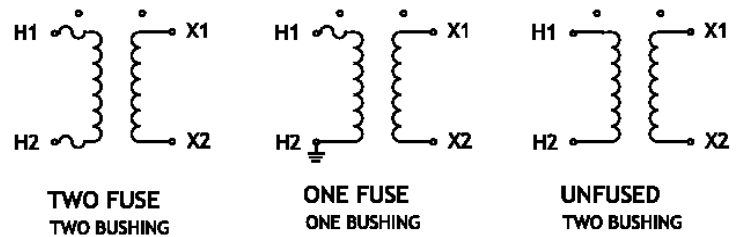


- UL and cUL Approved (File #E247592)
- As per ANSI/IEEE C57.13 OR IEC 60044 OR relevant standard

TABLES (Specify Catalog # and Group with the RFQ)

TWO BUSHING				
CATALOG #*	GROUP	PRIMARY VOLTAGE	RATIO	SECONDARY VOLTAGE
V9-2-242FF	1	2400	20:1	120
V9-2-332FF	2	3300	30:1	110-50Hz
V9-2-422FF	2	4200	35:1	120
V9-2-482FF	2	4800	40:1	120

SINGLE BUSHING				
CATALOG #*	GROUP	PRIMARY VOLTAGE	RATIO	SECONDARY VOLTAGE
V9-242F	4A	2400	20:1	120
V9-332F	4A	3300	30:1	110-50HZ
V9-422F	4B	4200	35:1	120
V9-482F	4B	4800	40:1	120



INSULATION LEVEL

5.6 kV, BIL 60 kV full wave

FREQUENCY

60 Hz (50 Hz upon request)

ACCURACY CLASS

0.3WXY, 1.2Z @ 100% rated V, 120V based ANSI burden
 0.6WX, 1.2MY @ 58% rated V, 69.3V based ANSI burden

THERMAL RATING

750 VA @ 30 deg. C ambient
 500 VA @ 55 deg. C ambient

OUTER ENCAPSULATION

Polyurethane/Epoxy Resin Encapsulated

PRIMARY TERMINALS

1/4 -20 Brass screw with one flat washer and lock washer

SECONDARY TERMINALS

10-32 Brass screw with one flat washer and lock washer

APPROX. WEIGHT

35 lbs.

PLATED STEEL MOUNTING BASE

CUSTOM OPTIONS (CONTACT US)

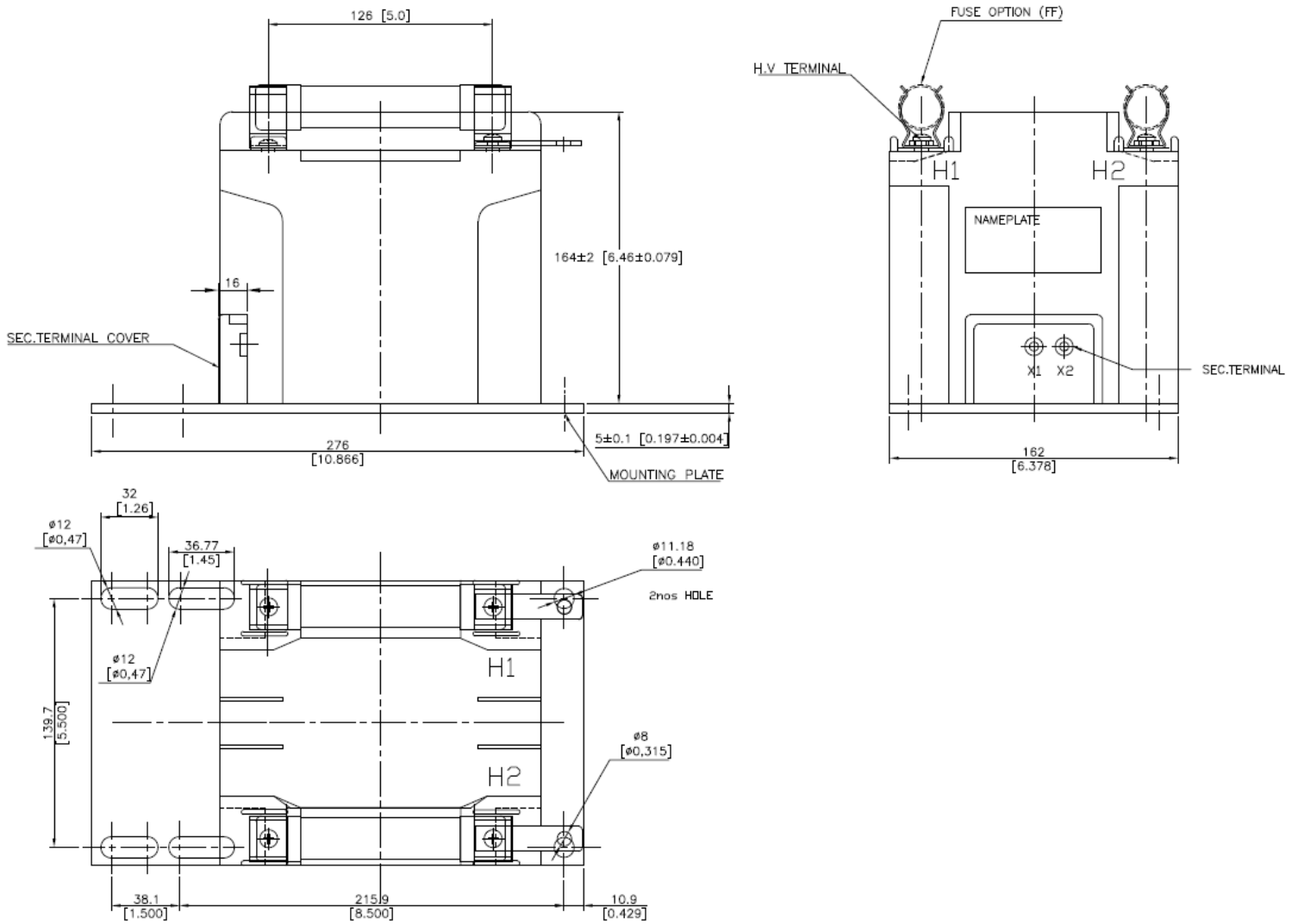
- Different Ratios, Accuracies
- Non-standard thermal rating
- Different encapsulation
- Different secondary termination
- Special mounting needs etc.

* FF for two fuses, F for single fuse, leave blank for no fuse

Model V9 – Medium Voltage Potential Transformer
Maximum System Voltage 5.6kV, BIL 60kV full wave

DIMENSIONS: Dimensions are in mm [inches]

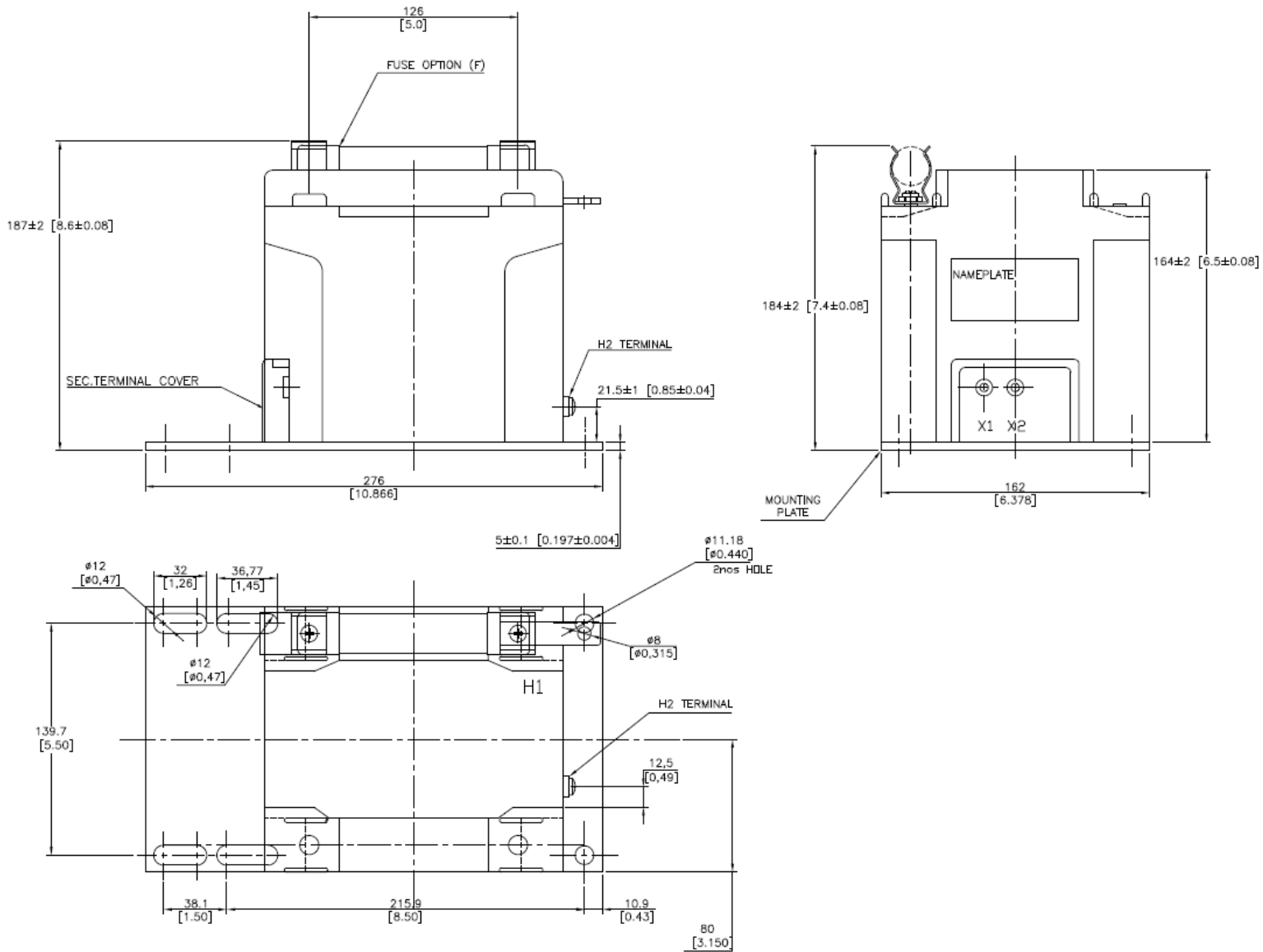
2 Fuse



- Standard Fuse rating: 5.5kV, 0.5E
- Fuse clips accept 1.0” diameter fuses with Max. length of 5.75”
- Fuses are intended to protect the system and not the PT in the event of a failure

Model V9 – Medium Voltage Potential Transformer
Maximum System Voltage 5.6kV, BIL 60kV full wave

Single Fuse



- Standard Fuse rating: 5.5kV, 0.5E
- Fuse clips accept 1.0” diameter fuses with Max. length of 5.75”.
- Fuses are intended to protect the system and not the PT in the event of a failure