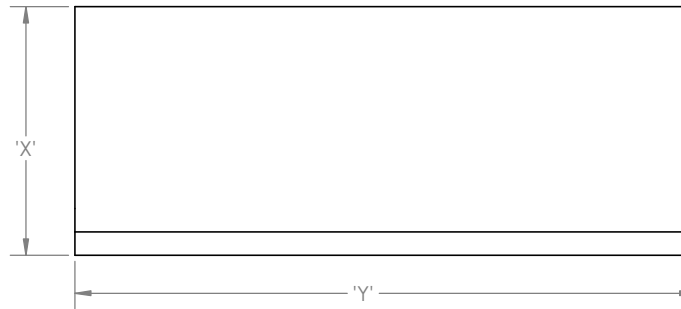
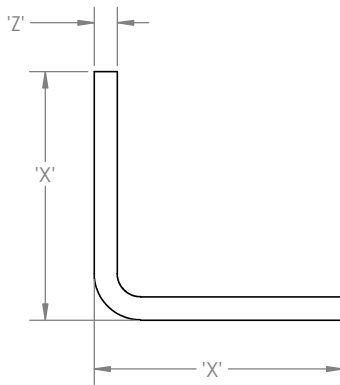
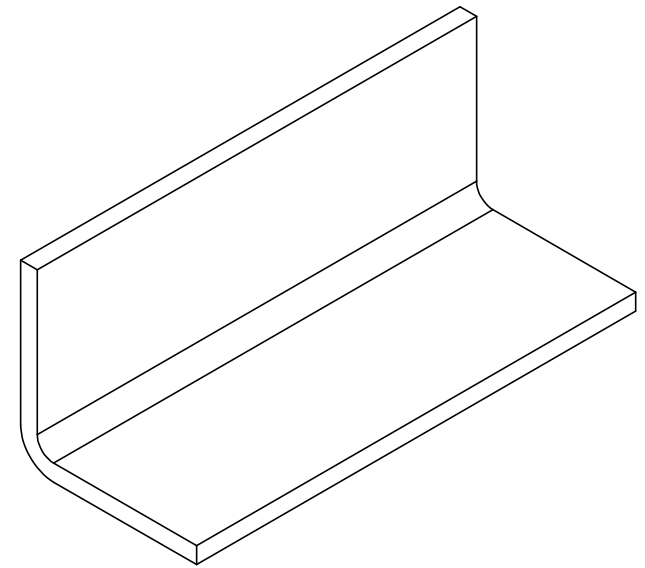



'X'	'Y'	'Z'
1.0"		.125"
1.5"		.125"
1.5"		.188"
2.0"		.188"
2.0"		.250"



LINEUP QTY

<b>PROPRIETARY AND CONFIDENTIAL</b> THE INFORMATION CONTAINED IN THIS DRAWING IS THE SOLE PROPERTY OF ADVANCED POWER TECHNOLOGIES. ANY REPRODUCTION IN PART OR AS A WHOLE WITHOUT THE WRITTEN PERMISSION OF ADVANCED POWER TECHNOLOGIES IS PROHIBITED.			 <b>433 North 36th Street Lafayette, IN 47905</b>														
UNLESS OTHERWISE SPECIFIED:					<b>PROJECT NAME:</b> Glastic Angle (2.0 X 2.0 X .188)												
DIMENSIONS ARE IN INCHES TOLERANCES: FRACTIONAL: ±1/32" ANGULAR: MACH ±.005 BEND ±1° TWO PLACE DECIMAL: ±.002 THREE PLACE DECIMAL: ±.015			<table border="1"> <thead> <tr> <th>DRAWN</th> <th>NAME</th> <th>DATE</th> </tr> </thead> <tbody> <tr> <td>LLW</td> <td></td> <td>02/16/23</td> </tr> <tr> <td>CHECKED</td> <td></td> <td></td> </tr> <tr> <td>MFG APPR.</td> <td></td> <td></td> </tr> </tbody> </table>	DRAWN	NAME	DATE	LLW		02/16/23	CHECKED			MFG APPR.			<b>DESCRIPTION:</b> Glastic Angle (2.0 X 2.0 X .188)	
DRAWN	NAME	DATE															
LLW		02/16/23															
CHECKED																	
MFG APPR.																	
INTERPRET GEOMETRIC TOLERANCING PER:			<table border="1"> <tr> <td><b>SIZE</b></td> <td><b>PROJECT NUMBER:</b></td> <td><b>REV</b></td> </tr> <tr> <td><b>B</b></td> <td></td> <td>1</td> </tr> </table>		<b>SIZE</b>	<b>PROJECT NUMBER:</b>	<b>REV</b>	<b>B</b>		1							
<b>SIZE</b>	<b>PROJECT NUMBER:</b>	<b>REV</b>															
<b>B</b>		1															
MATERIAL Glastic GPO-3 (1494)			<table border="1"> <tr> <td><b>SCALE:</b> 1:2</td> <td><b>WEIGHT:</b></td> <td><b>SHEET</b> 1 OF 2</td> </tr> </table>		<b>SCALE:</b> 1:2	<b>WEIGHT:</b>	<b>SHEET</b> 1 OF 2										
<b>SCALE:</b> 1:2	<b>WEIGHT:</b>	<b>SHEET</b> 1 OF 2															
FINISH RED																	
DO NOT SCALE DRAWING																	