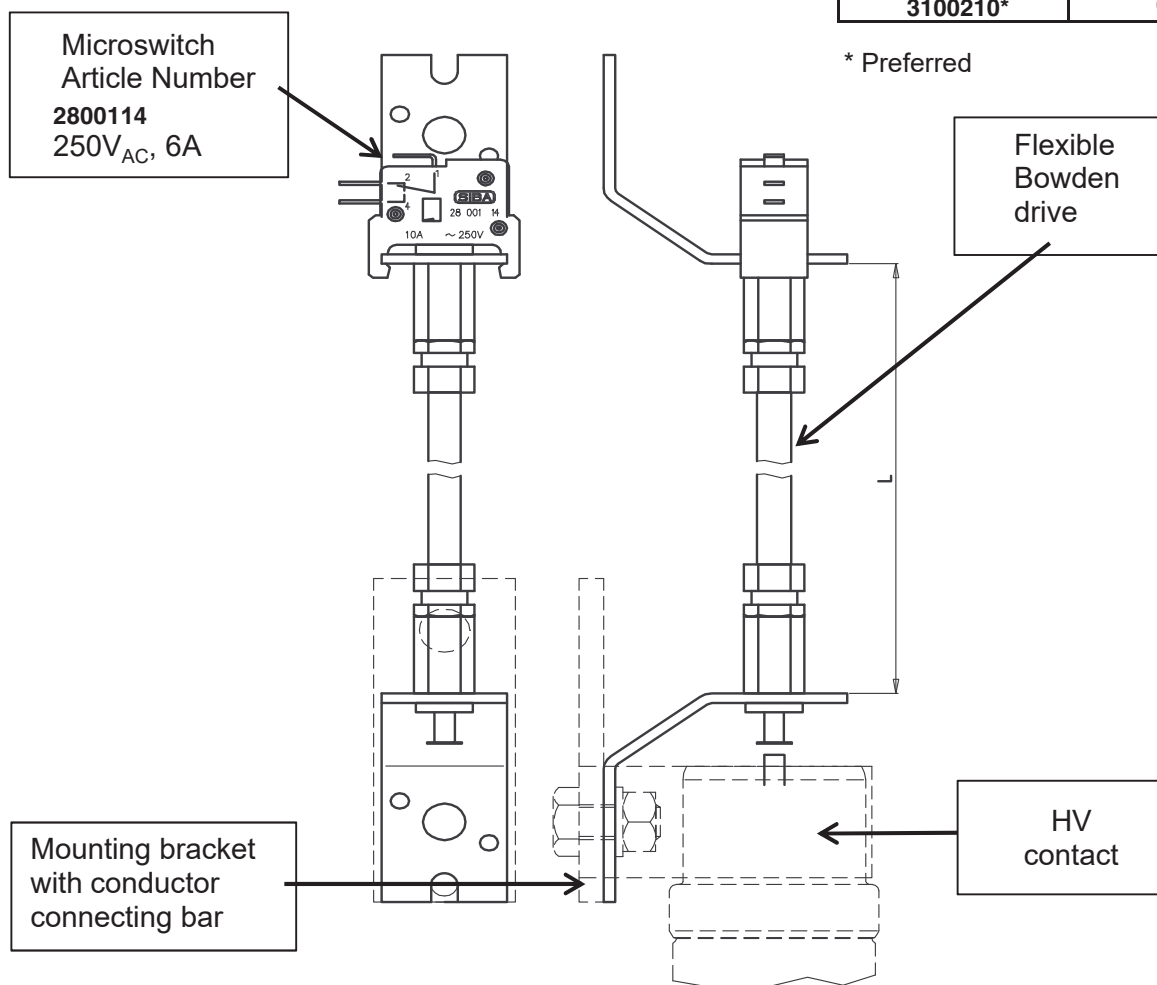


HHD - Accessories

Microswitch Assembly Unit for Remote Monitoring of HHD Fuse

The SIBA microswitch assembly unit provides a means of remote monitoring and / or supervising the switching status of the HHD fuses with integral strikers. The assembly unit consist of a flexible cable Bowden Drive that has two mounting brackets, one at each end of the cable drive. The first bracket mounts a predetermined distance from the fuses' striker. When the fuses 'striker activates, the linear motion of the striker is transferred through the flexible drive to the other bracket that the microswitch which changes the state of the contacts that are internal. The microswitch has two change-over output contacts, incorporates one set that is normally open and the other set that is normally closed for logic level choice. Both contacts rated for 250Vac, 6A.

Article Number	Length L[mm]
3100110	660
3100114	900
3100116	250
3100117	1 200
3100210*	660



HHD - Accessories

HHD Accessories

Standard(s)

High Voltage Fuse Bases

DIN 43624

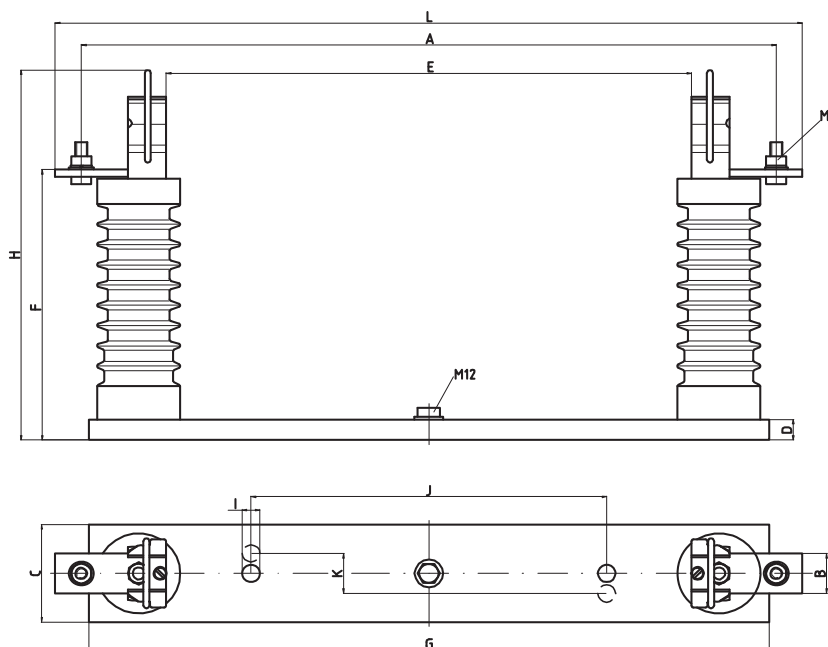
For Indoor Applications

Rated current: 200A

Insulators: cast resin

Base plate: Structural steel, thick film passivated

Contacts: E-Cu, nickel plated with clamping bow



	Rated Voltage						
	7,2 kV	7,2 kV	12 kV	12 kV	24 kV	17.5kV/24 kV	36kV
	E = 192 mm	E = 442 mm	E = 292 mm	E = 442 mm	E = 442 mm	E = 292 mm	E = 537 mm
Article No.	3100102*	3110102*	3100302*	3110102*	3100502*	3122101	3100702
Dimensions [in / mm]							
A	13.78 / 350	23.62 / 600	17.72 / 450	23.62 / 600	23.62 / 600	17.72 / 450	27.36 / 695
B	1.37 / 35	1.37 / 35	1.37 / 35	1.37 / 35	1.37 / 35	1.37 / 35	1.37 / 35
C	3.35 / 85	3.35 / 85	3.35 / 85	3.35 / 85	3.35 / 85	3.35 / 85	3.35 / 85
D	0.71 / 18	0.71 / 18	0.71 / 18	0.71 / 18	0.71 / 18	0.71 / 18	0.71 / 18
E	7.60 / 193	17.44 / 443	11.53 / 293	17.44 / 443	17.44 / 443	11.56 / 293	21.18 / 538
F	6.18 / 157	6.18 / 157	6.18 / 157	6.18 / 157	9.33 / 237	9.33 / 237	12.87 / 327
G	12.20 / 310	22.60 / 574	16.14 / 410	22.60 / 574	22.60 / 574	16.14 / 410	26.61 / 676
H	9.57 / 243	9.57 / 243	9.57 / 243	9.57 / 243	12.72 / 323	12.72 / 323	16.26 / 413
I	0.59 / 15	0.59 / 15	0.59 / 15	0.59 / 15	0.59 / 15	0.59 / 15	0.59 / 15
J	2.17 / 55	11.81 / 300	7.09 / 180	11.81 / 300	11.81 / 300	7.09 / 180	14.96 / 380
K	1.37 / 35	—	—	—	—	—	—
L	14.96 / 380	24.80 / 630	18.90 / 480	24.80 / 630	24.80 / 630	18.90 / 480	28.54 / 725

* For fuses rated 200A and greater, Change last two digits from 01 or 02 to 06

40.5kV
E = 537 mm
 Article No.
Contact SIBA

HHD - Accessories

HHD Accessories
High Voltage Fuse Bases
For Outdoor Applications

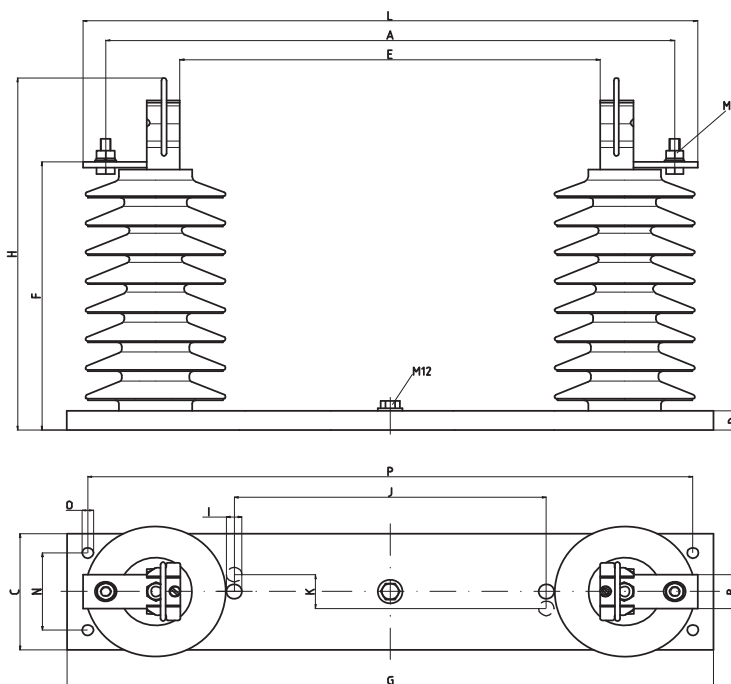
Standard(s)
DIN 43624

Rated current: 200A

Insulators: cast resin

Base plate: Structural steel, zinc plated

Contacts: E-Cu, nickel plated with clamping bow



	Rated Voltage						
	7,2 kV		12 kV	24 kV		36kV	40.5kV
	E = 192 mm		E = 292 mm	E = 442 mm		E = 537 mm	E = 537 mm
	Article No. 3100201*		Article No. 3100401*	Article No. 3100601*		Article No. 3100801	Article No. 3134001
Dimensions [in / mm]							
A	13.78 / 350		17.72 / 450	23.62 / 600		27.36 / 695	27.36 / 695
B	1.37 / 35		1.37 / 35	1.37 / 35		1.37 / 35	
C	4.72 / 120		4.72 / 120	4.72 / 120		4.72 / 120	4.72 / 120
D	0.79 / 20		0.79 / 20	0.79 / 20		0.79 / 20	0.79 / 20
E	7.60 / 193		11.53 / 293	17.48 / 444		21.18 / 538	21.18 / 538
F	9.41 / 239		9.41 / 239	10.98 / 279		15.31 / 389	20.83 / 529
G	16.14 / 410		20.08 / 510	25.98 / 660		30.91 / 785	30.91 / 785
H	12.80 / 325		12.80 / 325	14.37 / 365		18.70 / 475	24.21 / 615
I	0.59 / 15		0.59 / 15	0.59 / 15		0.59 / 15	0.59 / 15
J	2.17 / 55		7.09 / 180	11.81 / 300		14.96 / 380	4.96 / 380
K	1.37 / 35		—	—		—	—
L	14.96 / 380		18.90 / 480	24.80 / 630		28.54 / 725	28.54 / 725
N	3.15 / 80		3.15 / 80	3.15 / 80		3.15 / 80	3.15 / 80
O	0.43 / 11		0.43 / 11	0.43 / 11		0.43 / 11	
P	14.57 / 370		18.50 / 470	24.41 / 620		18.70 / 745	18.70 / 745

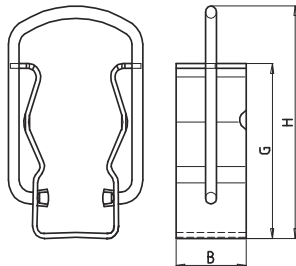
* For fuses rated 200A and greater, Change last two digits from 01 to 06

HHD - Accessories

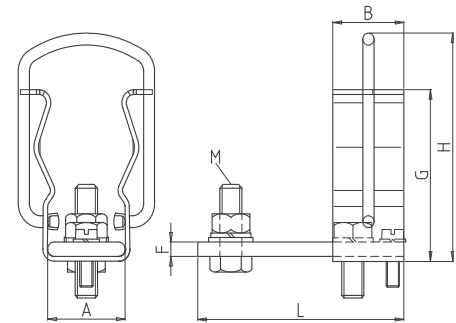
HHD Accessories
High Voltage Fuse Contacts

Spring Contact for $\leq 200A$ Spring

Contact w/connecting bar for $\leq 200A$

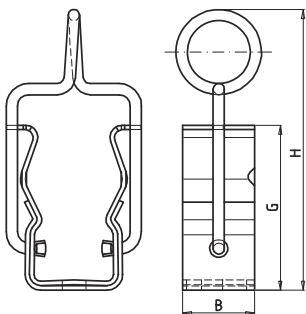


Dimensions [in/mm]		
Article Number		
3100302.20		3400201
—	A	1.38 / 35
1.26 / 32	B	1.26 / 32
—	F	0.24 / 6
2.81 / 71.5	G	2.81 / 71.5
3.74 / 95	H	3.74 / 95
—	L	3.66 / 93
M10	M	M10
Weight [kg/1]		
0.14		0.38

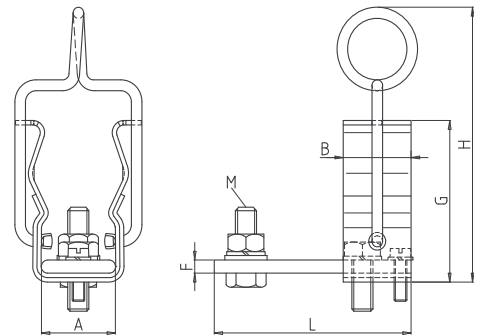


Spring Contact for $> 200A$ Spring

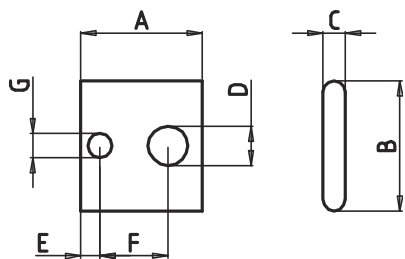
Contact w/connecting bar for $> 200A$



Dimensions [in/mm]		
Article Number		
3400101.20		3400102
—	A	1.38 / 35
1.26 / 32	B	1.26 / 32
—	F	0.24 / 6
2.89 / 73.5	G	2.89 / 73.5
4.92 / 125	H	4.92 / 125
—	L	3.66 / 93
M10	M	M10
Weight [kg/1]		
0.20		0.47



Spacer



Dimensions [in/mm]	
Article Number	
3100201.3	
A	1.26 / 32
B	1.38 / 35
C	0.24 / 6
D	0.41 / 10.5
E	0.20 / 5
F	0.71 / 18
G	0.26 / 6.5
Weight [kg/1]	
0.04	

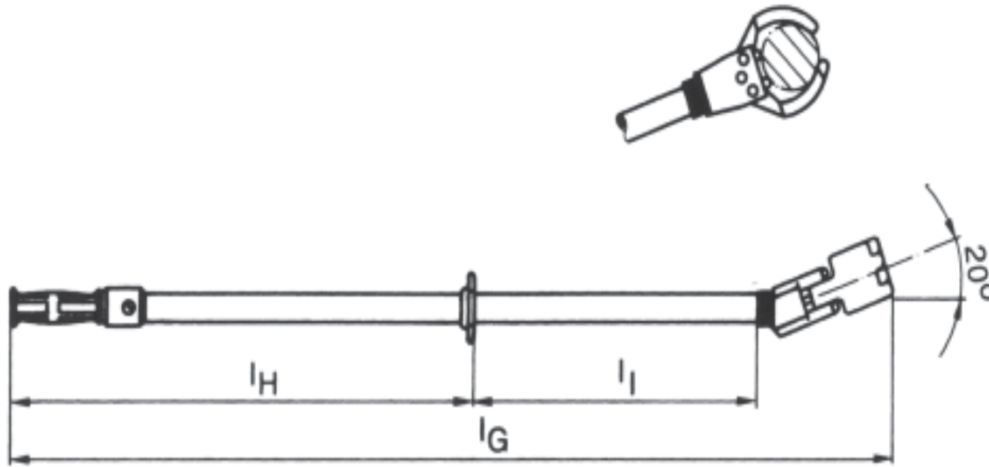
HHD - Accessories

HHD Accessories

Standard(s)

High Voltage Fuse Insertion/Removal Tool
Rated Voltage 30kV

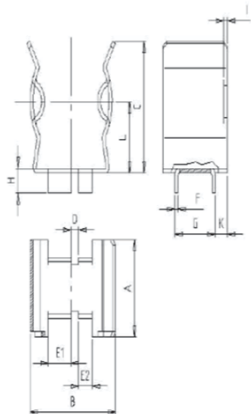
DIN 57 681



Dimensions [in/mm]	
Article Number	
3200526	
l_G	1.26 / 1250
l_I	1.38 / 525
l_H	0.24 / 540
Weight [kg/1]	
2.0	

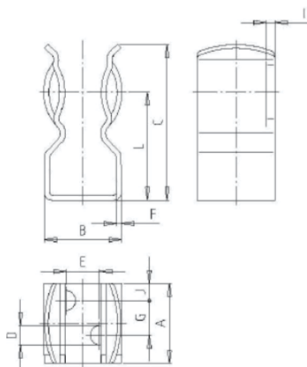
HHPT-Accessories

Fuse Clips for 24mm and 40mm Diameter Contacts

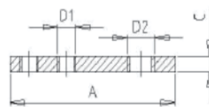


5806006

Dimensions [in / mm]	
0.67 / 17.0	A
0.79 / 20.0	B
0.91 / 23.0	C
0.08 / 2.0	D
	D₁
	D₂
	E
0.24 / 6.0	E₁
0.14 / 3.5	E₂
0.03 / 0.8	F
	F₁
	F₂
0.42 / 10.7	G
0.17 / 4.2	H
0.04 / 1.0	I
0.13 / 3.2	K
0.49 / 12.5	L

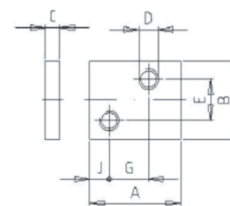


6100201.3

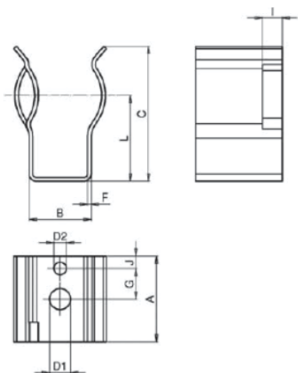


6100201.4

6100201.3		6300201	
0.73 / 18.5	A	0.73 / 18.5	
0.72 / 18.4	B	0.59 / 15.0	
1.42 / 36.0	C	0.12 / 3.0	
0.18 / 4.2	D	— / M4	
0.31 / 8.0	E	0.31 / 8.0	
0.05 / 1.2	F	0.31 / 8.0	
0.31 / 8.0	G		
0.08 / 2.0	I		
0.16 / 4.0	J	0.16 / 4.0	
0.98 / 25.0	L		

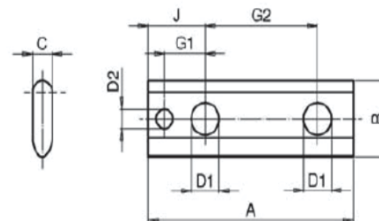


6300201



9109401.3

Dimensions [in / mm]	
1.38 / 35.0	A
0.98 / 25.0	B
2.17 / 55.0	C
0.33 / 8.5	D₁
0.20 / 5.1	D₂
0.06 / 1.5	F
0.49 / 12.5	G
	G₁
	G₂
0.31 / 8.0	I
0.20 / 5.0	J
1.38 / 35.0	L



9109401.4