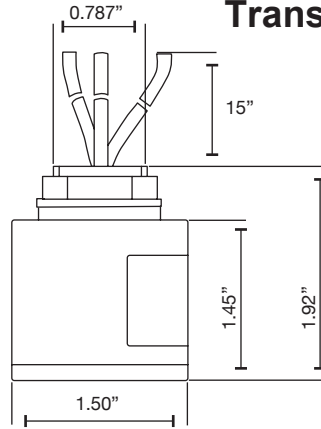


**Surge Protection Device (SPD)**

**Transient Voltage Surge Suppressor (TVSS)**



**Single Pole**  
**VA1S-50-4XP, VA4S-50-4XP, VA5S-50-4XP**

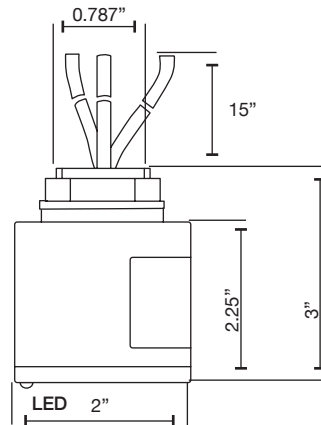


**Features**

- I<sub>max</sub>: 50 kA per Phase
- I<sub>n</sub>: 10 kA
- Small footprint
- Thermally fused metal oxide varistor suppression with added gas-tube technology
- LED diagnostic indicator
- Nipple mount or bracket mount installation
- Single pole is a UL recognized component
- Double pole is a UL 1449 5th edition listed component
- NEMA 4X indoor/outdoor enclosure
- 25 year warranty



**Double Pole**  
**VA1-50-4XP**



	XS1-50-4XP	XS1-50-4XP	XS1-50-4XP	XS1-50-4XP
<b>System Voltage</b>	120 VAC	240-277 VAC	480 VAC	120/240 & 120 VAC 1-Phase
<b>Maximum Continuous Voltage (MCOV)</b>	150 VAC L-G, L-N, N-G	320 VAC L-G, L-N, N-G	550 VAC L-G, L-N, N-G	150 VAC L-G, 300 L-L
<b>Nominal Discharge Current (In)</b>	10kA			
<b>Maximum Discharge Current (I<sub>max</sub>)</b>	50kA Per Phase			
<b>Voltage Protection Rating (VPR)</b>	800 VAC L-G, L-N, N-G	1200 VAC L-G, L-N, N-G	1500 VAC L-G, L-N, N-G	800 VAC L-G, 1200 L-L
<b>Short Circuit Current Rating (SCCR)</b>	100kA			
<b>Suppression Technology</b>	Thermally Fused MOV/Gas Discharge Tube			
<b>Operating Temperature</b>	-40 to +85°C			
<b>Housing-Enclosure Material</b>	Molded Sealed Polycarbonate			
<b>Mounting Type</b>	Nipple or Bracket Mounting			
<b>Environmental Rating</b>	NEMA 4X / IP65 - Indoor/Outdoor			
<b>Connection Type</b>	Lead Length: 15" / #14 AWG			
<b>Standards, Compliance or Recognition</b>	UL Recognized Component to US and Canadian Safety Standards			UL 1449 5th Edition Type 1 Listed, UL Listed to US and Canadian Safety Standards