

## Surge Protection Device (SPD)

## Transient Voltage Surge Suppressor (TVSS)



**XS2**  
**Single-Phase**  
**& Three Phase**

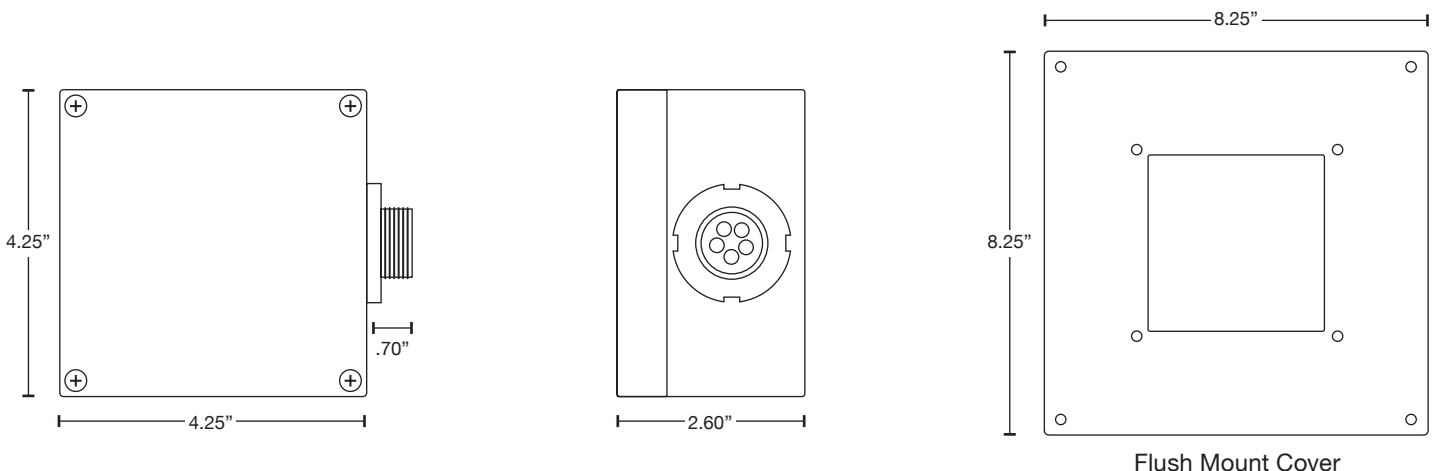
### Features

- UL 1449 5th edition Type 1 UL/cUL listed
- I<sub>max</sub>: 120 kA per phase
- Thermally fused metal oxide varistor suppression with added gas-tube technology
- LED indicator and audible alarm
- NEMA 4X (IP65/IP66) indoor/outdoor rated enclosure
- In: 20 kA
- EMI/RFI noise filtration (-40db)
- Repositionable lid allows for label orientation
- Short circuit current rating (SCCR) 200 kAIC
- Lead length: 36" / #10 AWG
- Meets UL 96A lightning protection master label
- Single phase - Lifetime Warranty
- Three phase - 25 years

### Available Options

- Mounting bracket available to allow installation inside of electrical panel
- Flush mount cover

### Dimensions





Surge Protection Device (SPD)

Transient Voltage Surge Suppressor (TVSS)

Part Number Breakdown

XS2-(X)-120-4XM

- Surge Rating: 120 =120 kA/phase
- Voltage Identifier: 1=120/240 single phase, 2=120/208 3-phase Wye, 3=120/120/240 3-phase Hi-Leg Delta, 4=277/480 3-phase Wye, 5=480 3-phase Delta, 6=347/600 3-phase Wye, 7=600 3-phase Delta, 8=220/380 3-phase Wye, 9=240 3-phase Delta

Specifications

Description			XS2-GEN	XS2-1	XS2-2	XS2-3	XS2-4	XS2-5	XS2-6	XS2-7	XS2-8	XS2-9
System Voltage	VAC		120/240	120/240	120/208	120/120/240	277/480	480	347/600	600	220/380	240
System Wiring			3W+G (Single Phase)	3W+G (Single Phase)	4W+G (3-Phase Wye)	4W+G (3-Phase Hi-Leg Delta)	4W+G (3-Phase Wye)	3W+G (3-Phase Delta)	4W+G (3-Phase Wye)	3W+G (3-Phase Delta)	4W+G (3-Phase Wye)	3W+G (3-Phase Delta)
Maximum Operating Voltage	MCOV	L-N	150	150	150	150/300	320	N/A	550	N/A	320	N/A
		N-G	150	150	150	150/300	320	N/A	550	N/A	320	N/A
		L-G	150	150	150	150	320	550	550	750	320	320
		L-L	300	300	300	300/300	520	550	750	750	550	640
Voltage Protection Rating	VPR	L-N	700	700	700	700/1,200	1,200	N/A	1,800	N/A	1,200	N/A
		N-G	700	700	700	700/1,200	1,000	N/A	1,800	N/A	1,200	N/A
		L-G	700	700	700	700/1,200	1,200	1,800	1,800	1,800	1,000	1,200
		L-L	1,000	1,000	1,000	1,800/1,800	2,500	3,000	3,000	2,000	1,800	1,800
Operating Current	Ic		<10 mA	<10 mA	<10 mA	<30 mA	<10 mA	<30 mA	<10 mA	<30 mA	<10 mA	<30 mA
Follow Current	If							None				
Maximum Leakage Current	Ipe							1 mA				
Frequency	f							50/60/400 Hz				
Nominal Discharge Current Per Mode	In (8/20 μs)							20 kA				
Maximum Discharge Current Per Phase	Imax (8/20 μs)							120 kA per Phase				
Short Circuit Current Rating	SCCR							200 kA				
Standard's Compliance or Recognition								UL 1449 5th Edition Type 1 Listed, cUL Listed				
EMI/RFI Filtering								1283 Electromagnetic Interference Filter (-40 dB)				
Thermal Disconnecter								Internal to Each Component				
Overload Disconnecter								Internal to Each Device				
Failure Indicators								LED & Audible Alarm				
Operating Temperature								-40 to +185°F (-40 to +85°C)				
Housing-Enclosure Material								NEMA 4X Aluminum				
Mounting Type								Nipple/Wall Mounting --- Bracket Mount (Not Included) or Flush Mount (Cover Not Included)				
Environmental Rating								NEMA 4, IP65, IP66				
Installation Location								Indoor/Outdoor				